

LMDL3302 Trident Flood Light



Description

- Die-cast aluminium housing with patented deep-fin heat sync for optimal heat control
- Available in multiple beam angles to suit all mounting heights
- 330° adjustable mounting bracket
- IP66 and IK08 rated

Finish
Black

Material
Aluminium



TECHNICAL CHARACTERISTICS

Light source: Lumileds SMD3030
 Output (W): 150W/200W/240W
 Voltage: 240V
 Color temperature: 3000-6500K
 CRI: 80
 Installation method: Surface Mounted
 System Lumen: 150W 24,000lm/200W 32,000lm
 240W 38,400lm
 System efficacy: 160lm/watt
 Dimming Type: Non-dim, 0-10V
 Life Time: 50.000h
 IP Rating: IP66
 IK Rating: IK08

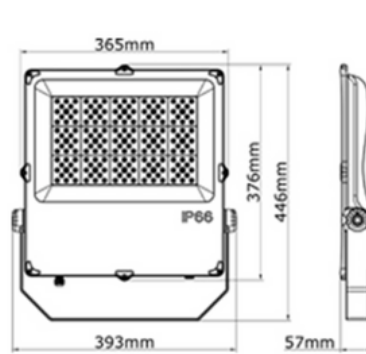
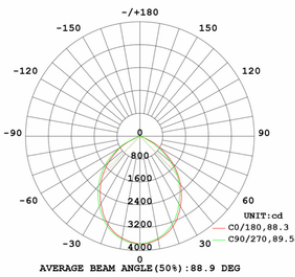
PHYSICAL CHARACTERISTICS

Dimensions: 150W L446*W393*D57mm
 200-240W L497*W392*D59mm
 Cutout: N/A
 Rotate Angle: N/A
 Tilt Angle: N/A

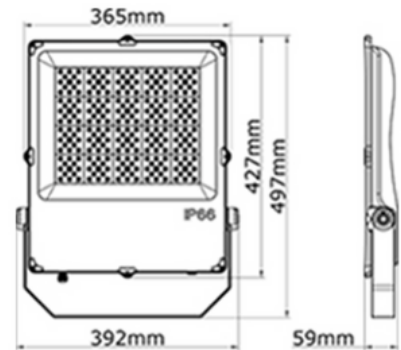
Additional

Warranty: 3 Years
 (optional 5 year warranty on request)

LUMINOUS INTENSITY DISTRIBUTION DIAGRAM



150W



200-240W