



## LMDL3812

### Solo Fixed

#### Description

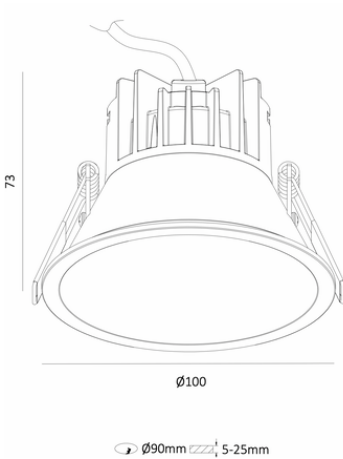
- Deep recessed with a slim trim, the Solo is perfect in any multi-residential, or commercial application
- Bridgelux COB CRI90 with 15° to 60° beam angles
- All major control types supported, including Phase-Cut, DALI and Dim to Warm
- Also available to suit a 75mm cut

#### Finish

Black/White

#### Material

Aluminium



#### TECHNICAL CHARACTERISTICS

Light source: Bridgelux COB  
 Output (W): 10W  
 Voltage: 240V  
 Color temperature: 2700K/3000K/4000K  
 CRI: 90  
 Installation Method: Ceiling recessed  
 System Lumen: 980lm  
 System efficacy: 98lm/W  
 Dimming Type: Non-Dim, Phase-Cut, DALI, Dim to Warm  
 Life Time: 50.000h  
 MacAdam steps: 3  
 UGR: <19  
 IP Rating: IP20

#### PHYSICAL CHARACTERISTICS

Dimensions: Ø100\*73mm  
 Cutout: Ø90mm  
 Rotate Angle: N/A  
 Tilt Angle: N/A

#### Additional

Warranty: 3 Years  
 (optional 5 year warranty on request)

#### LUMINOUS INTENSITY DISTRIBUTION DIAGRAM

